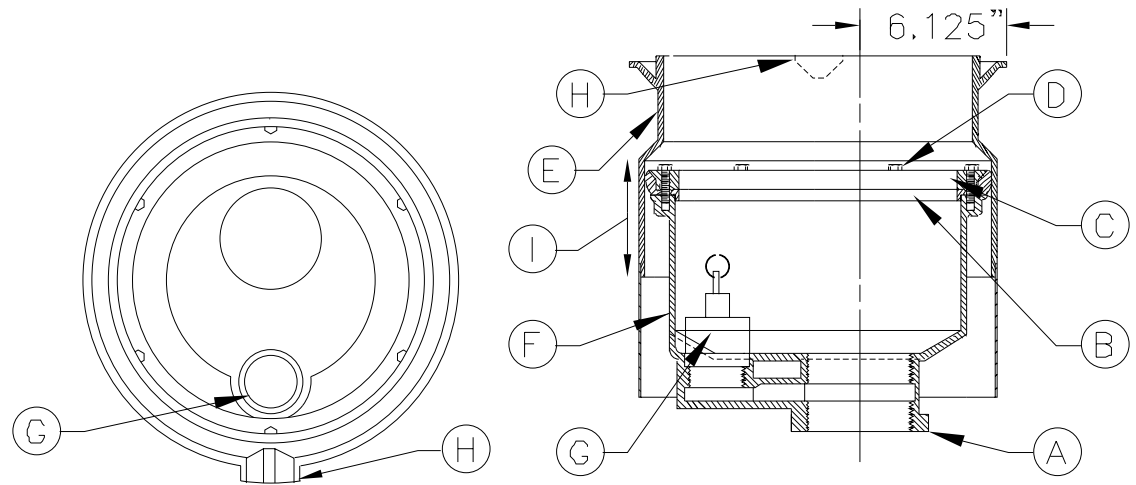


CNI MANUFACTURING INSTRUCTIONS FOR INSTALLATION OF THE 200ID

- (A) LOWER BASE
- (B) SEALING RUBBER RING
- (C) 3 PIECE COMPRESSION RING
- (D) SIX 1/4-20 SCREWS
- (E) UPPER SLIDE SECTION
- (F) BOTTOM SECTION
- (G) DRAIN ASSEMBLY VALVE
- (H) WATER DRAIN TROUGH
- (I) FROST RISE AREA



THE 200ID CAN BE INSTALLED AS IT COMES OUT OF THE BOX, CNI RECOMMENDS BREAKING IT DOWN FOR EASIER INSTALLATION, AS FOLLOWS:

- #1 FIGURE THE BURIAL FROM THE TOP OF TANK TO GRADE AND ADD A 1".
- #2 LOOSEN THE SIX 1/4-20 SCREWS (D), DO NOT REMOVE COMPLETELY
- #3 LIFT OFF THE UPPER SECTION (E)
- #4 TAKE THE LOWER SECTION (A) AND MOUNT ON THE TANK RISER AND TIGHTEN, IF RISER IS NOT PLUMB, THE DRAIN SHOULD BE ON THE LOW SIDE TO ALLOW ALL PRODUCT TO DRAIN
- #5 LIFT THE UPPER SECTION (E), AND SLIDE OVER THE LOWER SECTION (A) ALIGN THE DRAIN TROUGH (H) WITH THE DRAIN VALVE (G), SLIGHTLY TIGHTEN THE 1/4-20 SCREWS (D)
- #6 DEPENDING ON YOUR AREA, MAKE SURE YOU ALLOW FOR THE FROST RISE (I), WHEN SHOOTING YOUR GRADE
- #7 ALWAYS TURN THE UPPER DRAIN SECTION DOWNWARD OF THE FLOW OF WATER.
- #8 TAKE CARE WHEN TIGHTENING THE SIX 1/4-20 SCREWS (D), ROTATE BY ALTERNATING BACK AND FORTH, TIGHTENING A LITTLE BIT MORE EACH TIME, DO NOT APPLY MORE THAN 10 LBS. TORQUE