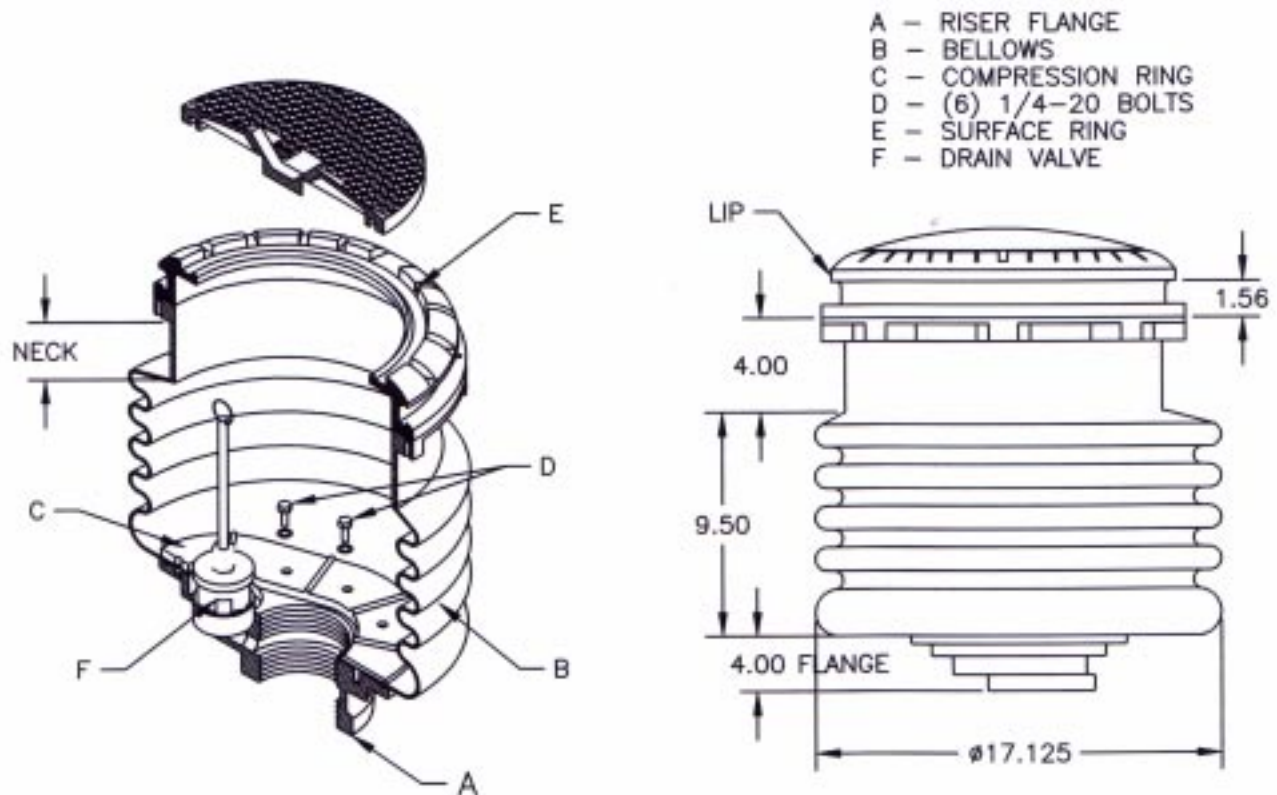




# CNI MANUFACTURING INSTRUCTIONS FOR INSTALLATION OF THE 210



## **DRAIN VALVE ASS'Y-(F): TWO PIECE HARD COAT ANODIZED ALUMINUM C.A.R.B. APPROVED**

- #1 TO FIGURE THE RISER LENGTH, TAKE THE DIMENSIONS ABOVE AND SUBTRACT FROM THE TOP OF THE TANK. CNI RECOMMENDS 1" - 2" ABOVE GRADE.
- #2 TAKE THE RISER FLANGE-(A) AND TIGHTEN TO RISER.
- #3 OUT OF THE BOX REMOVE THE FLANGE COMPRESSION RING-(C).
- #4 NOW LAY COMPRESSION RING IN PLACE AND SCREW THE 1/4-20 BOLTS-(D) ALTERNATING BACK AND FORTH TIGHTENING EACH TIME.
- #5 TAKE THE BELLOWS-(B) AND SIT ON FLANGE-(A). MAKE SURE THE "O"-RING IS NOT SHOWING.
- #6 BACK FILL UP TO THE NECK OF THE BELLOWS, PLUMB AT THAT POINT AND ATTACH THE SURFACE RING-(E).
- #7 NOW YOU CAN SET THE CONTAINMENT IN PLACE AND PLUMB.
- #8 SCREW DOWN DRAIN VALVE-(G) UNTIL IT SEATS ON "O"-RING.
- #9 CONCRETE UP TO THE TOP OF THE LIP ON SURFACE RING.