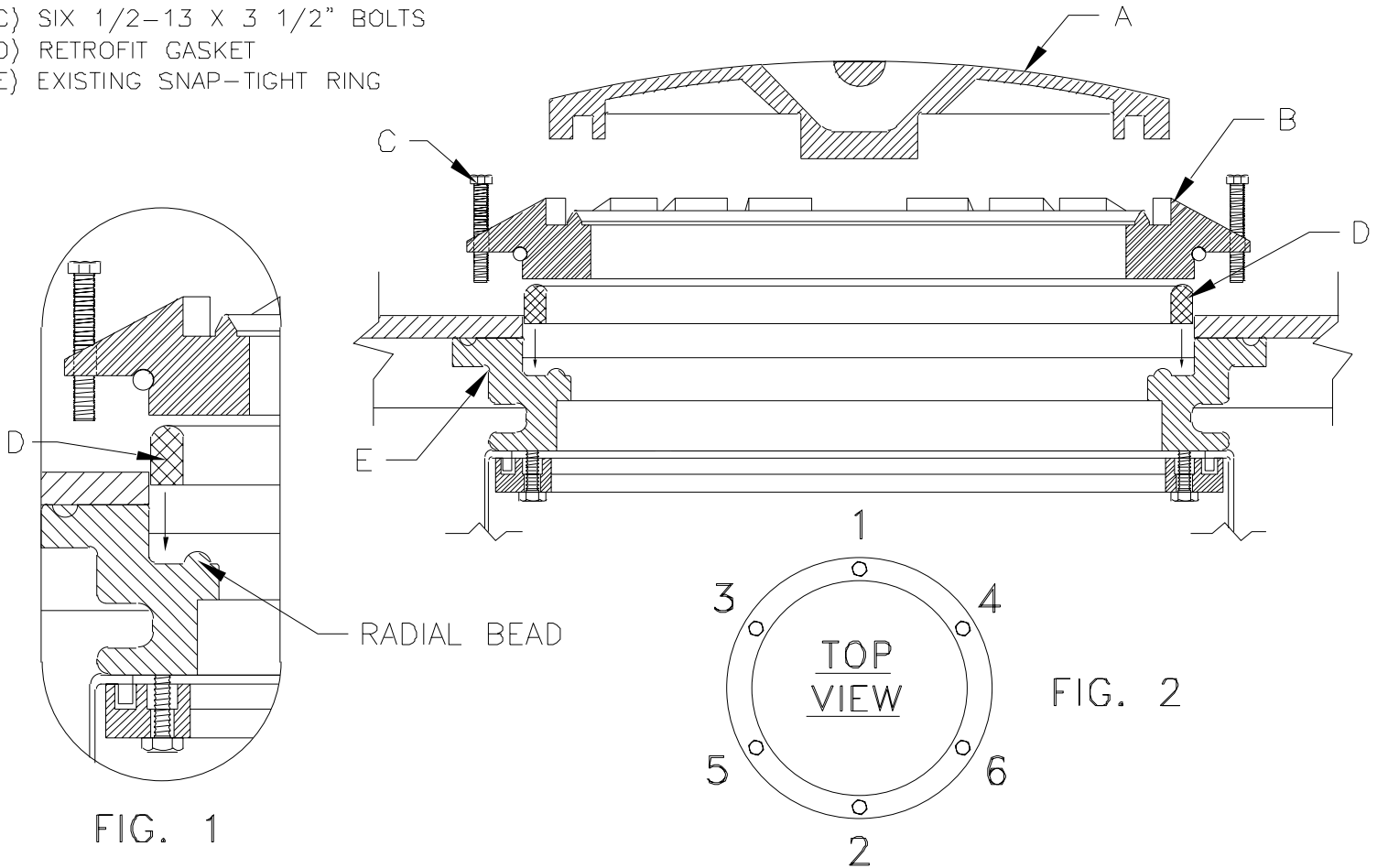


INSTRUCTIONS FOR INSTALLATION OF THE 213

- (A) GRAVITY COVER
- (B) #213 GRAVITY RING
- (C) SIX 1/2-13 X 3 1/2" BOLTS
- (D) RETROFIT GASKET
- (E) EXISTING SNAP-TIGHT RING



FOR COMPANIES WHO WON'T MAINTAIN THE SNAP-TIGHT NOW IT CAN BE RETROFITTED WITH A GRAVITY COVER WITHOUT HAVING TO REPLACE THE ENTIRE UNIT.

- #1 REMOVE EXISTING BELLOWS.
- #2 REMOVE THE 6 BOLTS.
- #3 PLACE THE GASKET-(D) PROVIDED INSIDE THE RADIAL BEAD-(FIG.1) PLACING THE FLAT END DOWN.
- #4 INSERT THE #213 RING-(B) ON TOP OF THE EXISTING SNAP-TIGHT RING-(E) AND BOLT DOWN WITH THE 3 1/2" BOLTS-(C) PROVIDED.
- #5 TIGHTEN DOWN THE BOLTS-(C) IN AN ALTERNATING PATTERN AS SHOWN IN (FIG. 2) ALONG WITH THE NEW NUTS PROVIDED.
- #6 REPLACE BELLOWS IN PLACE.

NOTE: THE "O"-RING ON THE 213 IS FACTORY INSTALLED.