

#7031 GROUND WIRE BOX

SPECIFICATION:

Outer ring: ductile iron

Cover: 3/8" non-skid steel plate

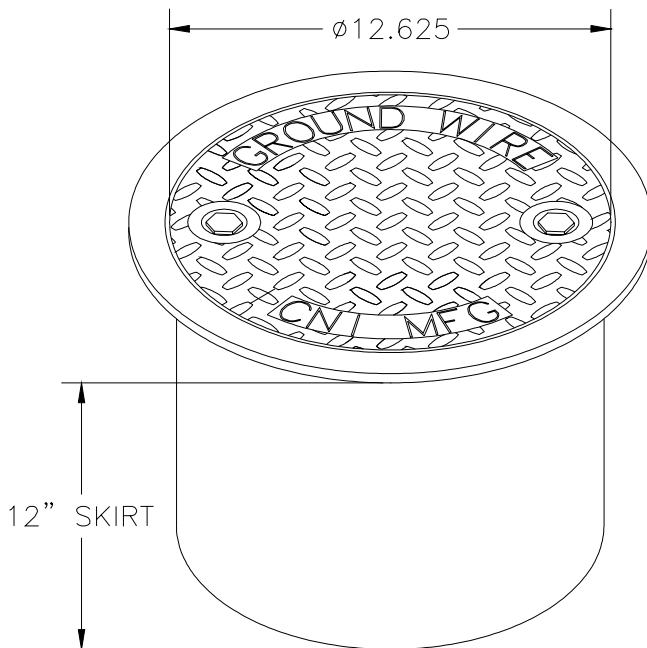
Skirt: 14 gauge sheet metal

Seal: 5/16" o-ring

FEATURES:

Used for checking ground rods.

Grounding all connections on risers.



Used for testing continuity of ground wire connections to the fill risers away from tank site.