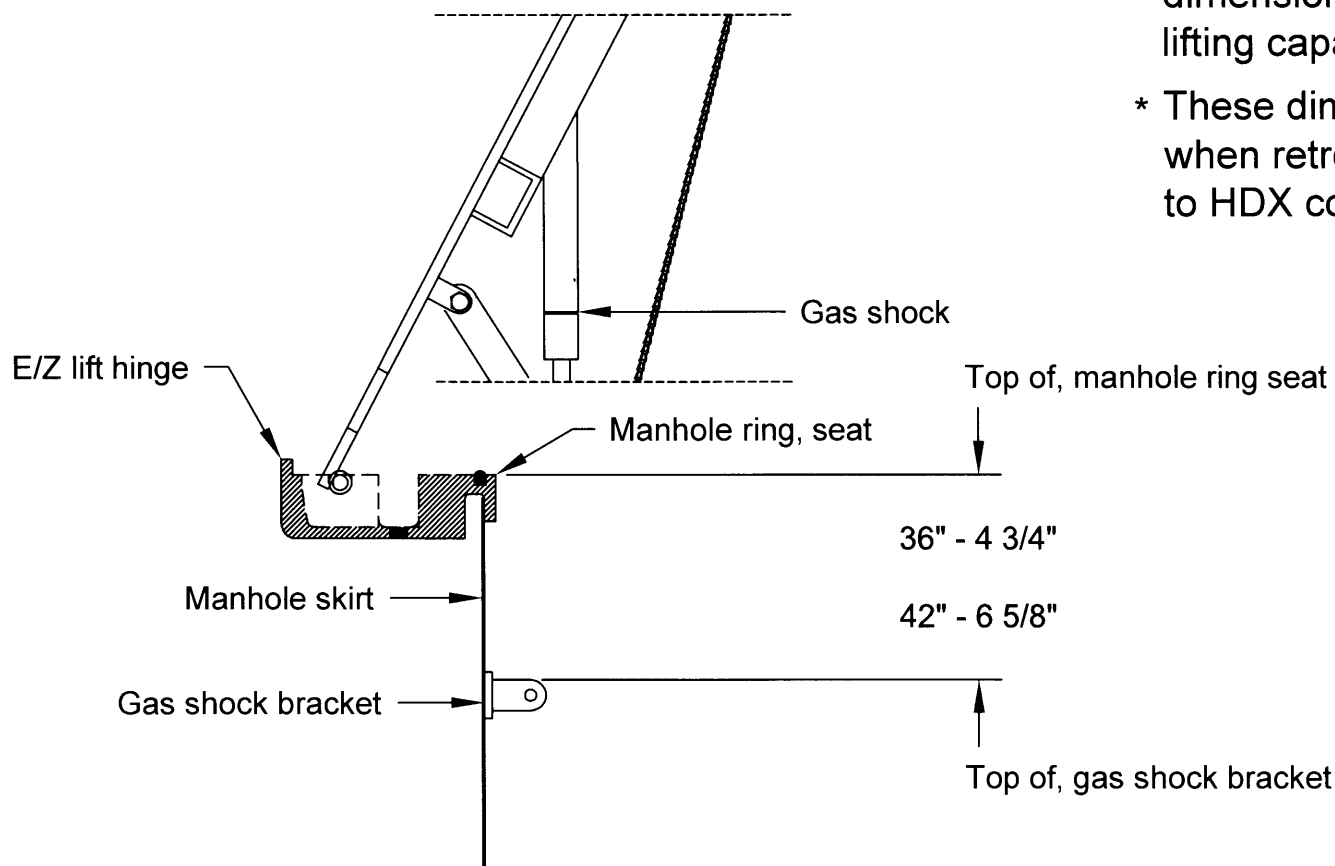


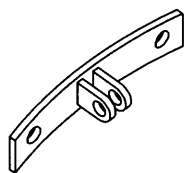
# Gas shock bracket, installation instructions

## Note:

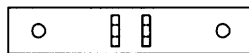
- \* Place Gas shock bracket at these dimensions for proper gas shock lifting capability.
- \* These dimensions are used when retrofitting from standard to HDX covers.



Gas shock bracket



Isometric view



Front view

## CNI MANUFACTURING

15627 ARROW HIGHWAY, IRWINDALE CA. 91706  
 (626) 962-6646 \* FAX: (626) 962-4854  
 WEB SITE: WWW.CNI-MFG.COM E-MAIL: INFO@CNI-MFG.COM

SCALE: N.T.S.	APPROVED:	DRAWN BY: J.O.
DATE: 10/30/07		REVISED:

### GAS SHOCK BRACKET DIMENSION

PATENT PENDING

DRAWING NUMBER  
EZ BRACKET DIM-INSTALL