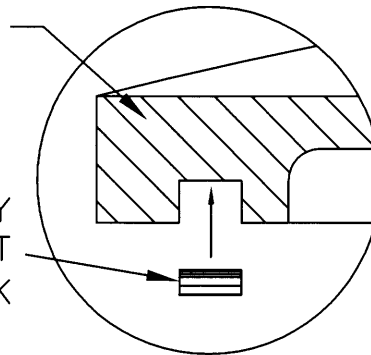


GRAVITY COVER
P/N. GAC

GRAVITY
COVER GASKET
P/N. GAC-GSK



EXAMPLE

(P/N. GAC-GSK)

GASKET MATERIAL: BUNA N, RUBBER

**ALL RUBBER COMPONENTS ARE COMPATIBLE
WITH GASOLINE IN COMMON USE IN CALIFORNIA
AT THE TIME OF CERTIFICATION.**

CNI MANUFACTURING
15627 ARROW HIGHWAY, IRWINDALE CA. 91706
(626) 962-6646 * FAX: (626) 962-4854
WEB SITE: [HTTP://WWW.CNI-MFG.COM](http://www.cni-mfg.com) E-MAIL: INFO@CNI-MFG.COM

SCALE: N.T.S.	APPROVED:	DRAWN BY: J.O.
DATE: 3/1/04		REVISED: 10/27/05

UNLESS OTHERWISE SPECIFIED:
DIMENSIONS ARE IN INCHES
TOLERANCES: $\pm .006$

GRAVITY COVER GASKET	
PATENT PENDING	DRAWING NUMBER 3-GAC-GSK.DWG