

CNI EVR SYSTEM TOOLS

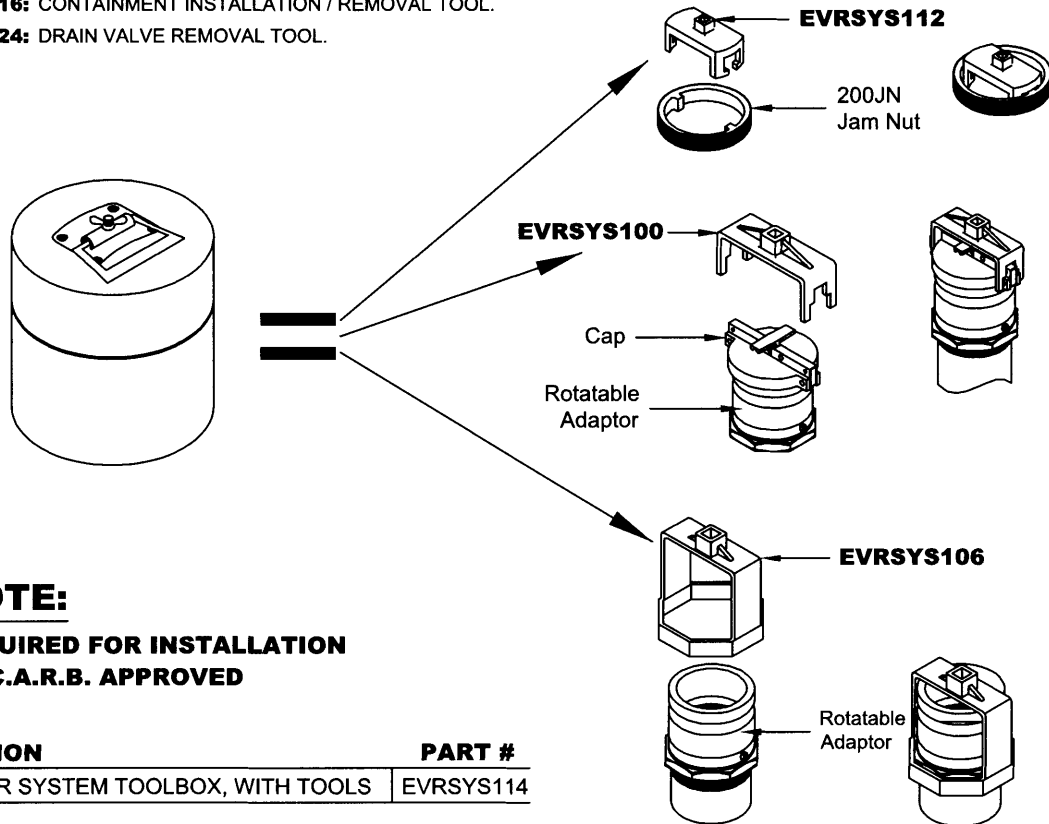


FEATURES:

- * **EVRSYS100:** TO CHECK TORQUE VALUE OF THE SWIVELS. EITHER ADAPTOR. (PRODUCT OR VAPOR ADAPTOR) 3/8" RATCHET AND EXTENSION DIMPLES TO HOLD AND KEEP FROM BREAKING LOOSE LIKE A SOCKET.
- * **EVRSYS106:** TO TIGHTEN AND LOOSEN ADAPTORS. 3/8" RATCHET AND EXTENSION DIMPLES TO HOLD AND KEEP FROM BREAKING LOOSE LIKE A SOCKET.
- * **EVRSYS112:** TO INSTALL AND REMOVE THE JAM NUT. 3/8" RATCHET AND EXTENSION DIMPLES TO HOLD AND KEEP FROM BREAKING LOOSE LIKE A SOCKET.
- * **EVRSYS114:** INCLUDES 3 TOOLS, EVRSYS100, 106 & 112.
- * **EVRSYS116:** CONTAINMENT INSTALLATION / REMOVAL TOOL.
- * **EVRSYS124:** DRAIN VALVE REMOVAL TOOL.

SPECIFICATIONS:

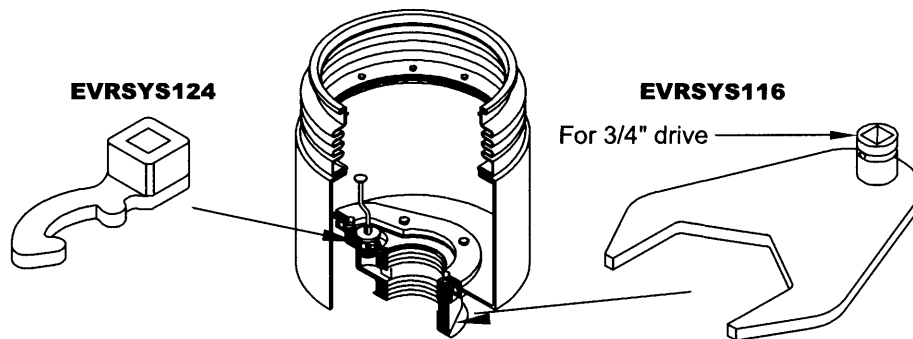
- * **MATERIAL (TOOLS):** 356T6 HARD COAT ANODIZED ALUMINUM
- * **MATERIAL (TOOLBOX):** CROSS-LINK POLYETHYLENE
- * **MATERIAL EVRSYS116:** DUCTILE IRON
- * **MATERIAL EVRSYS124:** DUCTILE IRON



NOTE:

REQUIRED FOR INSTALLATION OF C.A.R.B. APPROVED

DESCRIPTION	PART #
COMPLETE EVR SYSTEM TOOLBOX, WITH TOOLS	EVRSYS114



DESCRIPTION	PART #
CONTAINMENT INSTALLATION/REMOVAL TOOL	EVRSYS116
DRAIN VALVE REMOVAL TOOL	EVRSYS124

MATERIAL: DUCTILE IRON