

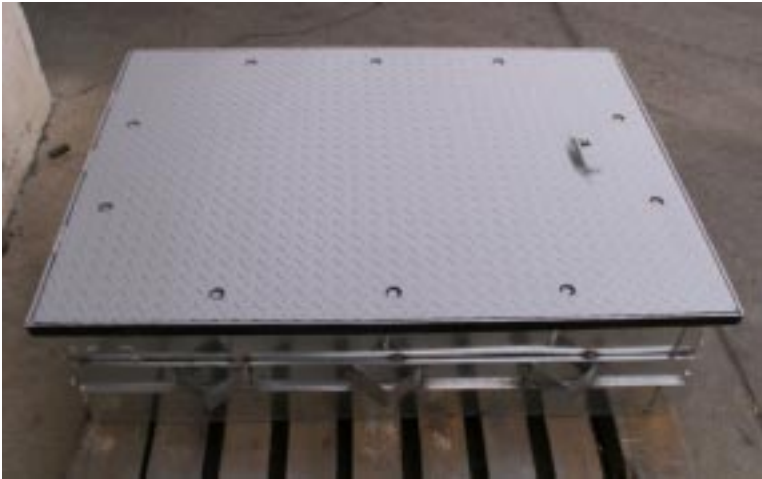
# “Special E/Z Lift manhole box with Cam-loks”

**Part No.**

**#SP364824-EZ**

**Description.**

**36” X 48” X 24” Skirt, E/Z lift manhole box with cam-loks**



**FEATURES:**

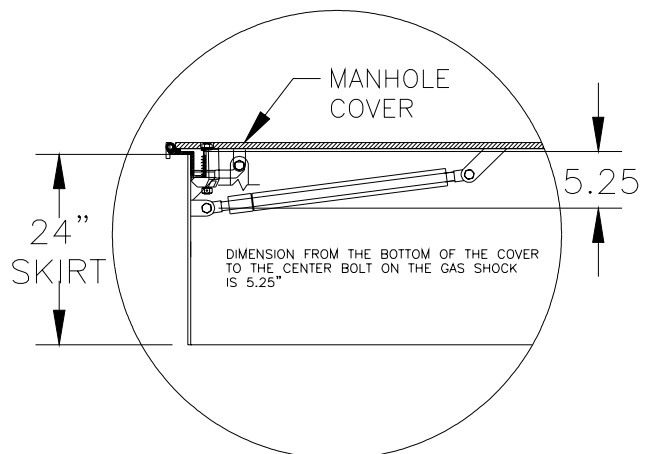
- \*H2O RATING.
- \*ONLY REQUIRES 25LBS. LIFTING WEIGHT CONTRACTOR FRIENDLY.
- \*NO SPECIAL TOOL REQUIRED.
- \*LIGHTER TO LIFT THAN MOST COMPOSITE COVERS.

**Custom Sizes available:**

**2’ X 2’ through 8’ X 8’**

**Round E/Z lifts:**

**30” Dia. to 48” dia.**



**”Custom sizes available upon request for the manhole sizes and skirt lengths”**

**Note: Custom boxes are special orders and are non-returnable**