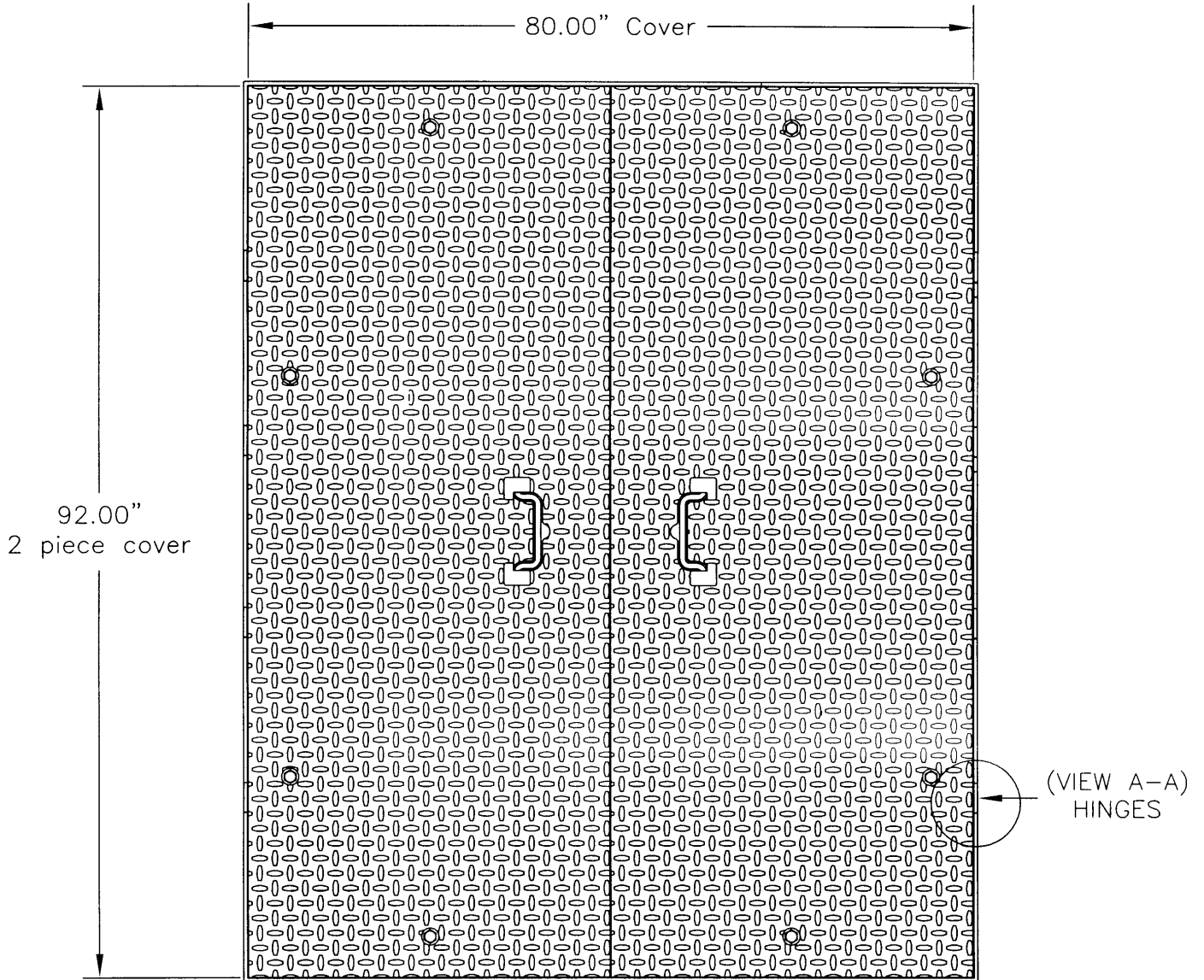


SPECIFICATIONS:

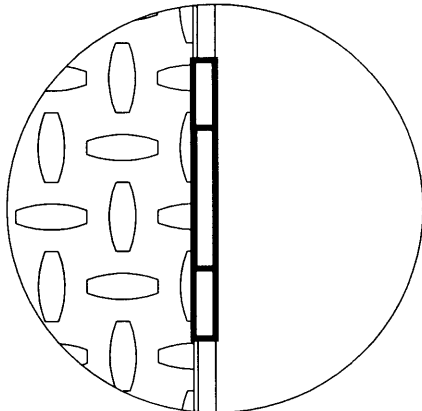
- * **COVER:** 3/8" Diamond floor plate. H20 traffic rated.
- * **SKIRT:** 14 Gauge galvanized sheet metal.
- * **GASKET:** 3/4"X1/8" Low swell, Buna N rubber.
- * **CAM-LOKS:** Zinc plated, ductile iron.

OPTIONS:

* **CUSTOM SKIRT LENGTHS AVAILABLE UPON REQUEST.**



Top View



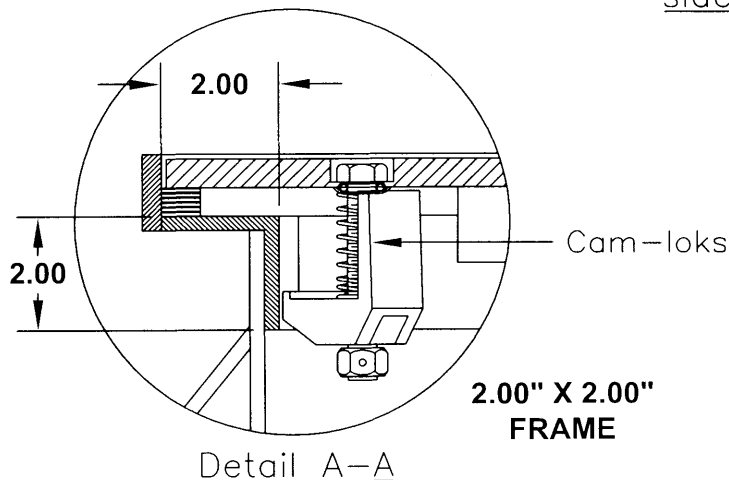
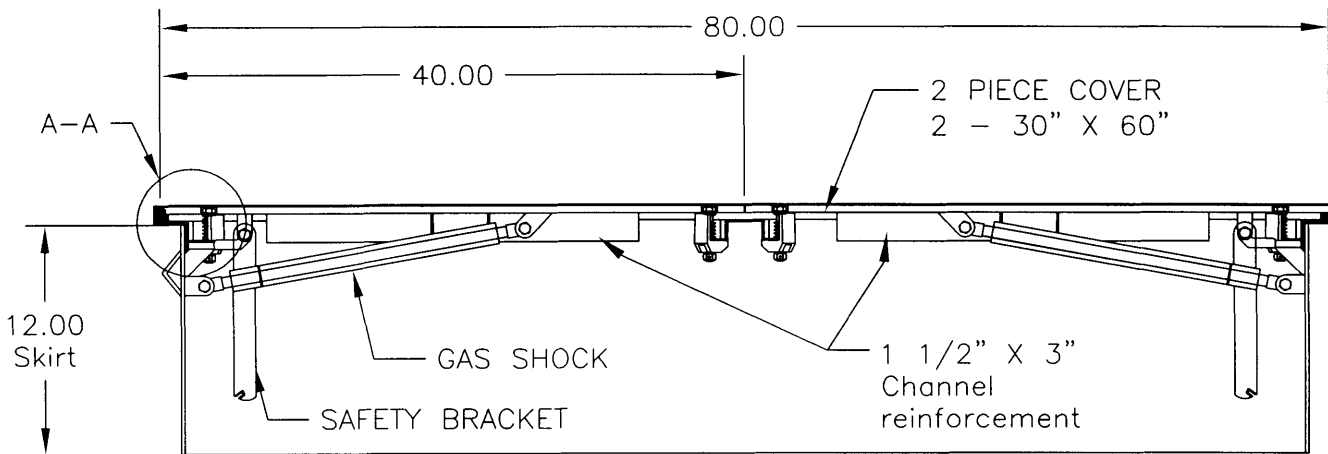
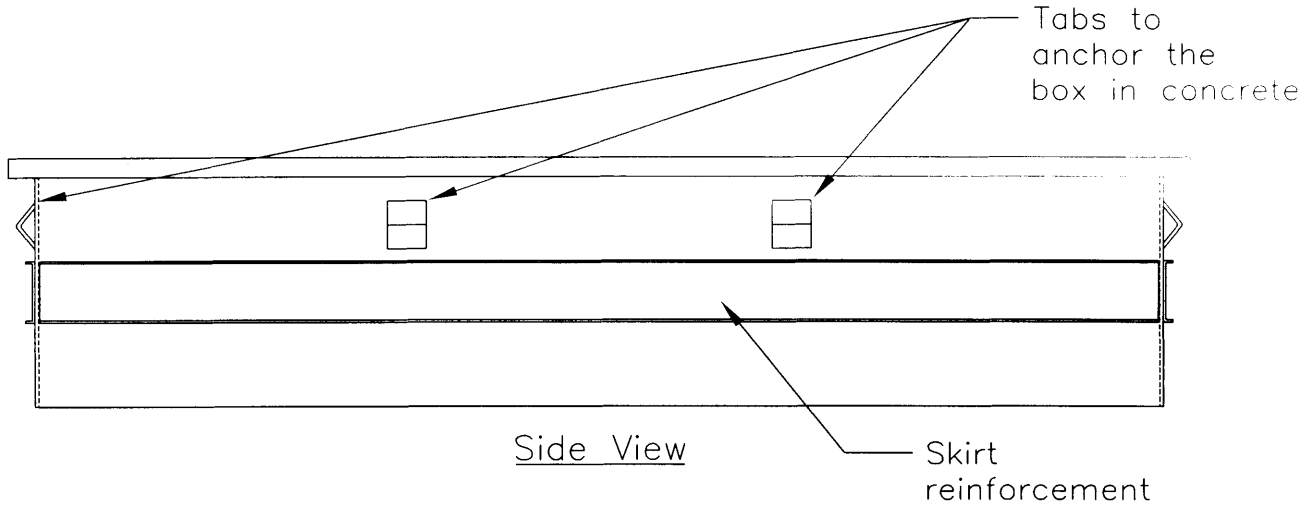
CNI MANUFACTURING		
15627 ARROW HIGHWAY, IRWINDALE CA. 91706 (626) 962-6646 * FAX: (626) 962-4854 WEB SITE: WWW.CNI-MFG.COM E-MAIL: INFO@CNI-MFG.COM		
SCALE: N.T.S.	APPROVED:	DRAWN BY: J.O.
DATE: 12/02/09		REVISED:
SP8092-2-12EZ 80" X 92" 2 PIECE E/Z LIFT MANHOLE WITH CAM-LOKS AND A 12" SKIRT		
DRAWING: 1 OF 3		DRAWING NUMBER SP8092-2-12EZ.DWG

SPECIFICATIONS:

- * **COVER:** 3/8" Diamond floor plate. H20 traffic rated.
- * **SKIRT:** 14 Gauge galvanized sheet metal.
- * **GASKET:** 3/4"X1/8" Low swell, Buna N rubber.
- * **CAM-LOKS:** Zinc plated, ductile iron.

OPTIONS:

* **CUSTOM SKIRT LENGTHS AVAILABLE UPON REQUEST.**



CNI MANUFACTURING

15627 ARROW HIGHWAY, IRWINDALE CA. 91706
(626) 962-6646 * FAX: (626) 962-4854
WEB SITE: WWW.CNI-MFG.COM E-MAIL: INFO@CNI-MFG.COM

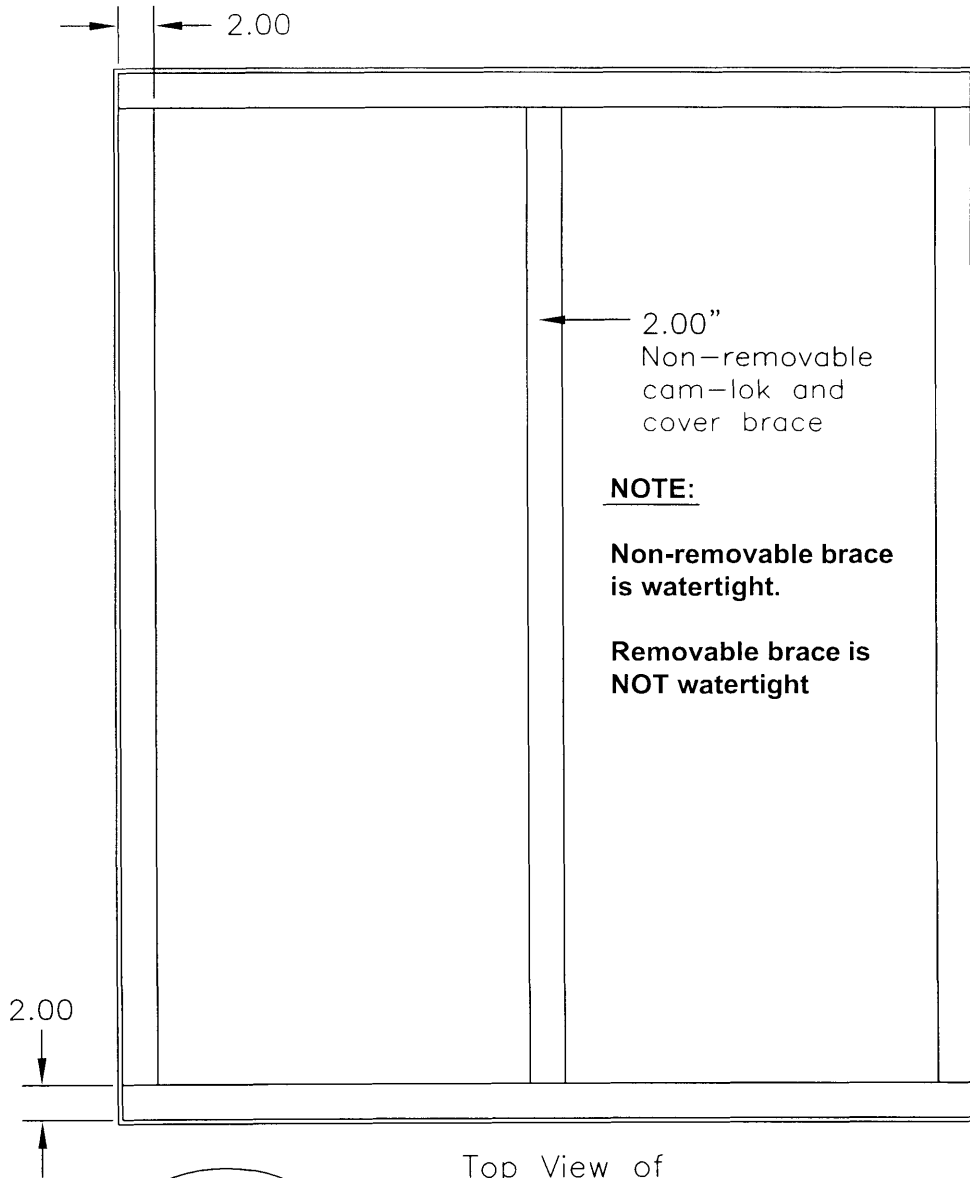
SCALE: N.T.S.	APPROVED:	DRAWN BY: J.O.
DATE: 12/02/09		REVISED:
SP8092-2-12EZ 80" X 92" 2 PIECE E/Z LIFT MANHOLE WITH CAM-LOKS AND A 12" SKIRT		
DRAWING: 2 OF 3		DRAWING NUMBER SP8092-2-12EZ DWG

SPECIFICATIONS:

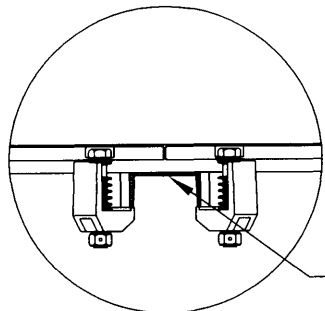
- * **COVER:** 3/8" Diamond floor plate. H20 traffic rated.
- * **SKIRT:** 14 Gauge galvanized sheet metal.
- * **GASKET:** 3/4"X1/8" Low swell, Buna N rubber.
- * **CAM-LOKS:** Zinc plated, ductile iron.

OPTIONS:

* **CUSTOM SKIRT LENGTHS AVAILABLE UPON REQUEST.**



Top View of
frame only



Cam-lok and
cover brace

Cross-section
side View

CNI MANUFACTURING

15627 ARROW HIGHWAY, IRWINDALE CA. 91706
(626) 962-6646 * FAX: (626) 962-4854
WEB SITE: WWW.CNI-MFG.COM E-MAIL: INFO@CNI-MFG.COM

SCALE: N.T.S.	APPROVED:	DRAWN BY: J.O.
DATE: 12/02/09		REVISED
SP8090-2-12EZ 80" X 92" 2 PIECE E/Z LIFT MANHOLE WITH CAM-LOKS AND A 12" SKIRT		
DRAWING: 3 OF 3		DRAWING NUMBER SP8092-2-12EZ.DWG