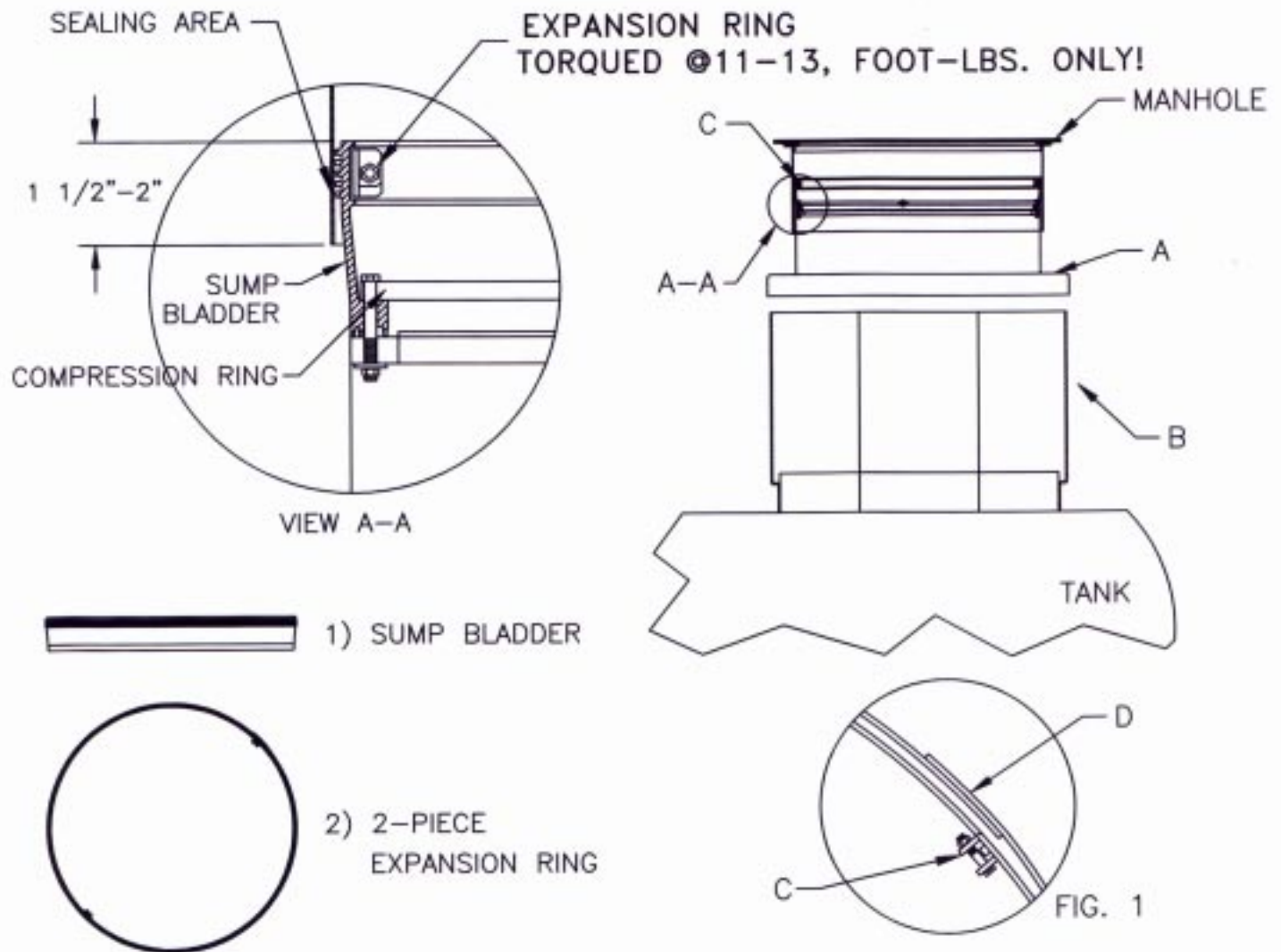




SUMP BLADDER INSTRUCTIONS



ONCE THE TANK SUMP IS FIBERGLASSED TO TANK COLLAR DO THE FOLLOWING.

1. IF YOU FOLLOW INSTRUCTIONS YOU WILL HAVE UP TO 5 INCHES OF ADJUSTMENT.
2. TO MAKE A GOOD INSTALLATION THE BLADDER TOP HAT-(A) CAN BE BETWEEN 17" AND 20" FROM GRADE.
3. CUT TANK SUMP-(B) AS NEEDED TO REACH THESE DIMENSIONS.
4. USE METAL SCREWS TO LIFT TOP FOR AN ADDITIONAL 2" OF ADJUSTMENT.
5. SET BLADDER TOP HAT-(A) ON SUMP-(B) AND FIBERGLASS.
6. LIFT THE MANHOLE OVER THE BLADDER, CNI RECOMMENDS THE SEALING AREA TO BE 1 1/2"-3" INSIDE FROM THE BOTTOM OF THE SKIRT. AS SHOWN IN (VIEW A-A).
7. TO SET MANHOLE USE 2' X 4' BRICKS OR BOARD TO LAY MANHOLE ON.
8. ALIGN THE JOINTS OF EXPANSION RING-(C) DIRECTLY IN FRONT OF JOINTS OF SKIRT-(D) AS SHOWN IN (FIG. 1).
9. TORQUE EACH JOINT OF EXPANSION RING-(C) @11-13, FOOT-LBS. MAKING SURE YOU ALTERNATE BACK AND FORTH UNTIL YOU REACH THE TORQUE LBS.