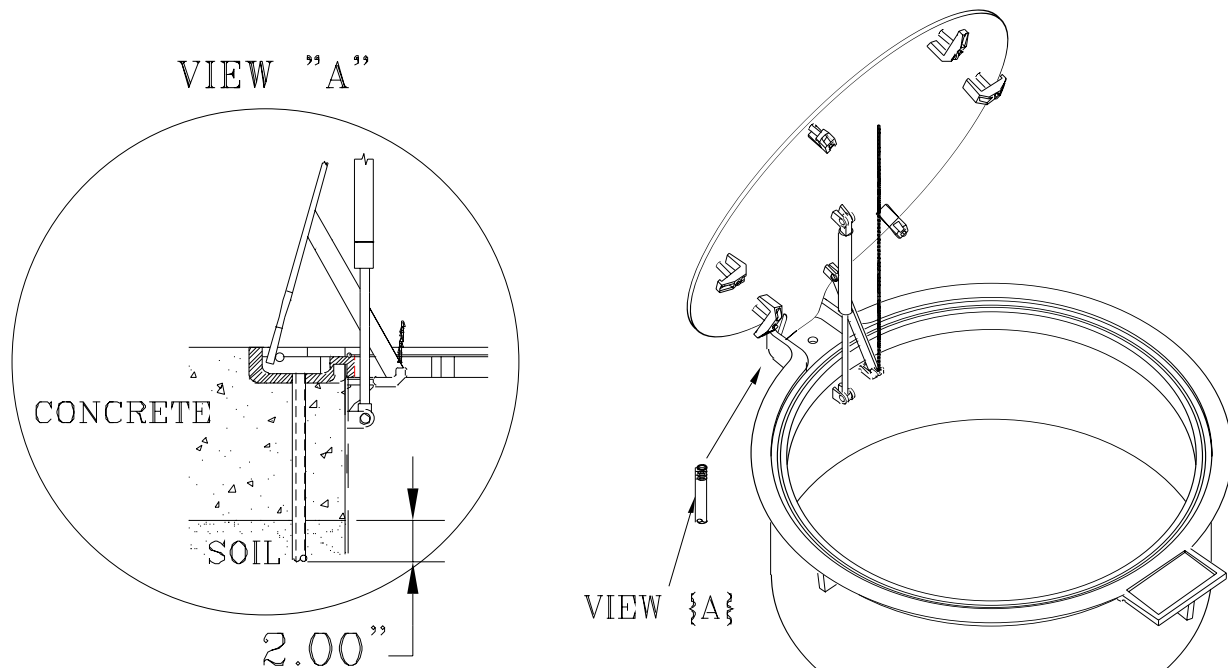




CNI INSTRUCTIONS

EZ-LIFT MANHOLE INSTALLATION INSTRUCTIONS

Use caution when lifting cover on the EZ-Lift manhole, due to the strength of the gas shock, the ring and skirt will come up with the lid if it's not held down and could cause damage to the manhole. CNI recommends using a 12" length of 3/4" plastic pipe to be jammed into the hole that is used to drain the water that accumulates in the reservoir (figure "a") that can cause rust on lift in this area. Because of the integrity to keep water from entering, the CNI manhole can be laid in concrete 1/4" to 1/2" or only high enough to prevent water from puddling.



NOTE:
THE DRAINAGE PIPE
NEEDS TO BE A
MINIMUM OF 2" PAST
THE CONCRETE SLAB.
AS SHOWN ABOVE.

IMPORTANT:
A DRAINAGE PIPE MUST BE USED TO
PREVENT WATER ACCUMULATION IN
THE HINGE AREA SEE VIEW {A}.