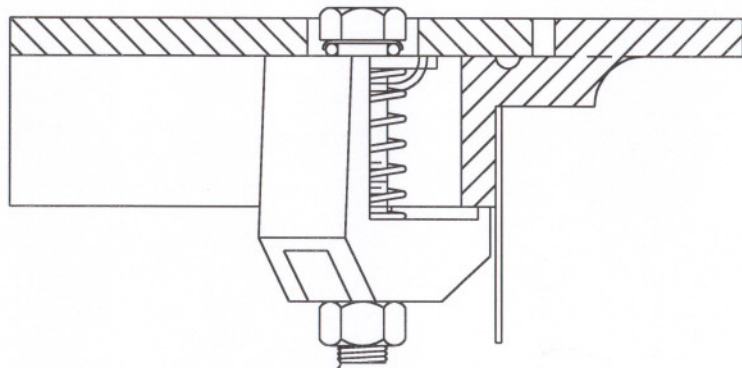
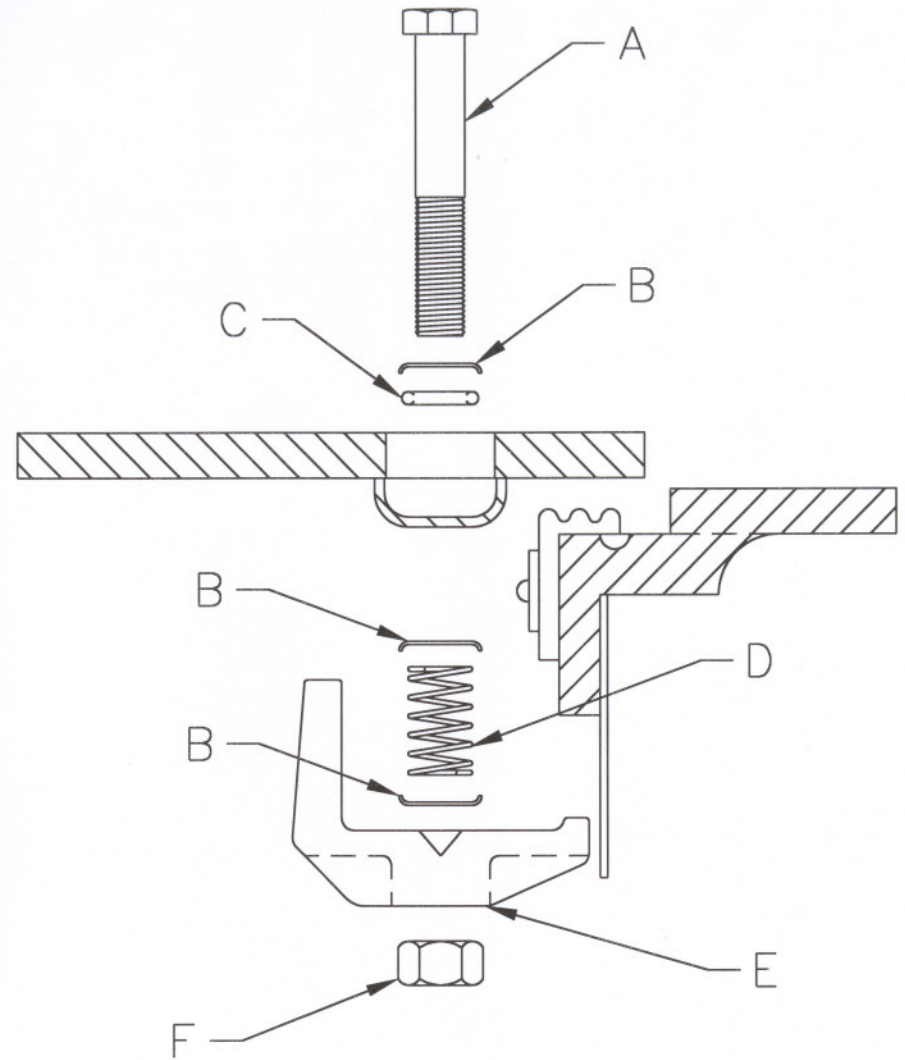


- A) 1/2"-13 BOLT
- B) "O"-RING CUP
- C) "O"-RING
- D) CAM-LOK SPRING
- E) CAM-LOK
- F) NUT



YOU MUST BASH THIS END  
TO PREVENT NUT FROM  
UNSCREWING OFF



<b>CNI MANUFACTURING</b>		
15627 ARROW HIGHWAY, IRWINDALE CA. 91706 (626) 962-6646 * FAX: (626) 962-4854 WEB SITE: <a href="http://www.cni-mfg.com">HTTP://WWW.CNI-MFG.COM</a> E-MAIL: <a href="mailto:INFO@CNI-MFG.COM">INFO@CNI-MFG.COM</a>		
SCALE: N.T.S.	APPROVED:	DRAWN BY: J.O.
DATE: 3/1/01		REVISED:
<b>CAM-LOK ASSEMBLY</b>		
PATENT PENDING		DRAWING NUMBER CAM-LOK2.DWG