

# ISLAND FORMS



To order, just add the length required at the end of the part number.



**Example:** Model No. **IS(48)(HC)-(10)** ← 10' Length

**Example Description:** Island form 48" wide, half circle ends and 10' length

**NOTE:** All model No.'s are 12" high

**Legend:**

- HC = Half circle, ends
- 3R = 3" radius, corners
- 6R = 6" radius, corners
- 12R = 12" radius, corners

**Straight Island Forms**

<b>4' WIDE</b> Part numbers	<b>IS48HC</b>
	<b>IS483R</b>
	<b>IS486R</b>
	<b>IS4812R</b>

**Dog Bone Island Forms**

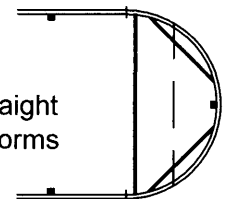
<b>4' WIDE</b> Part numbers	<b>DB48HC</b>
	<b>DB483R</b>
	<b>DB486R</b>
	<b>DB4812R</b>

LENGTH	WEIGHT	LENGTH	WEIGHT
5'		18'	283
6'	119	19'	301
7'	130	20'	319
8'	153	21'	333
9'	168	22'	349
10'	183	23'	364
11'	189	24'	378
12'	199	25'	389
13'	214	26'	404
14'	229	27'	421
15'	245	28'	437
16'	259	29'	452
17'	263	30'	467

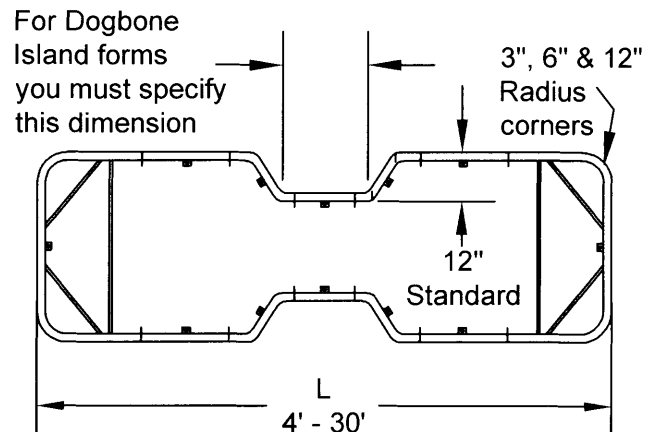
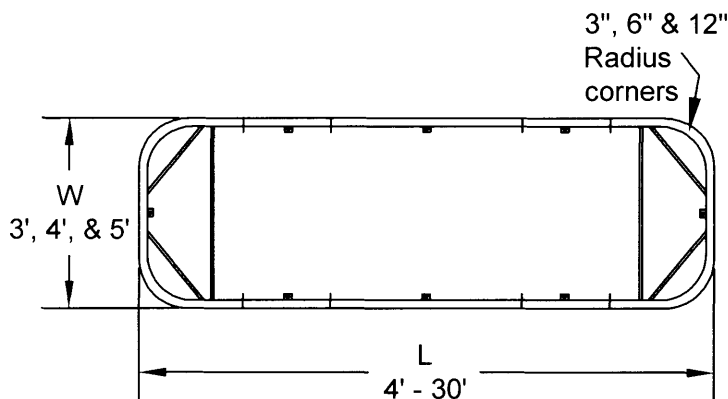
**Model No.'s.**

3' WIDE	4' WIDE	5' WIDE
<b>IS36HC</b>	<b>IS48HC</b>	<b>IS60HC</b>
<b>IS363R</b>	<b>IS483R</b>	<b>IS603R</b>
<b>IS366R</b>	<b>IS486R</b>	<b>IS606R</b>
<b>IS3612R</b>	<b>IS4812R</b>	<b>IS6012R</b>

**Note:** For Dog Bone, change IS to DB.



HC = Half circle ends available for both, straight and dogbone island forms



For Dogbone Island forms you must specify this dimension