

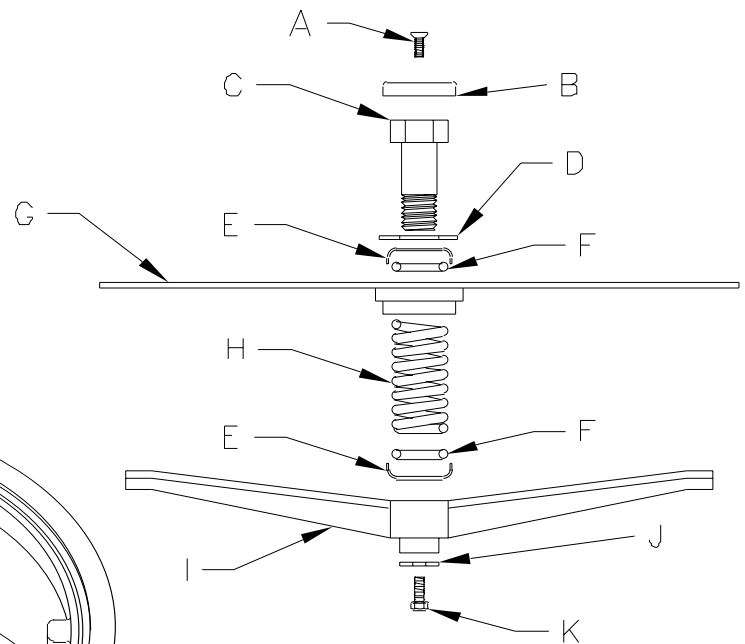
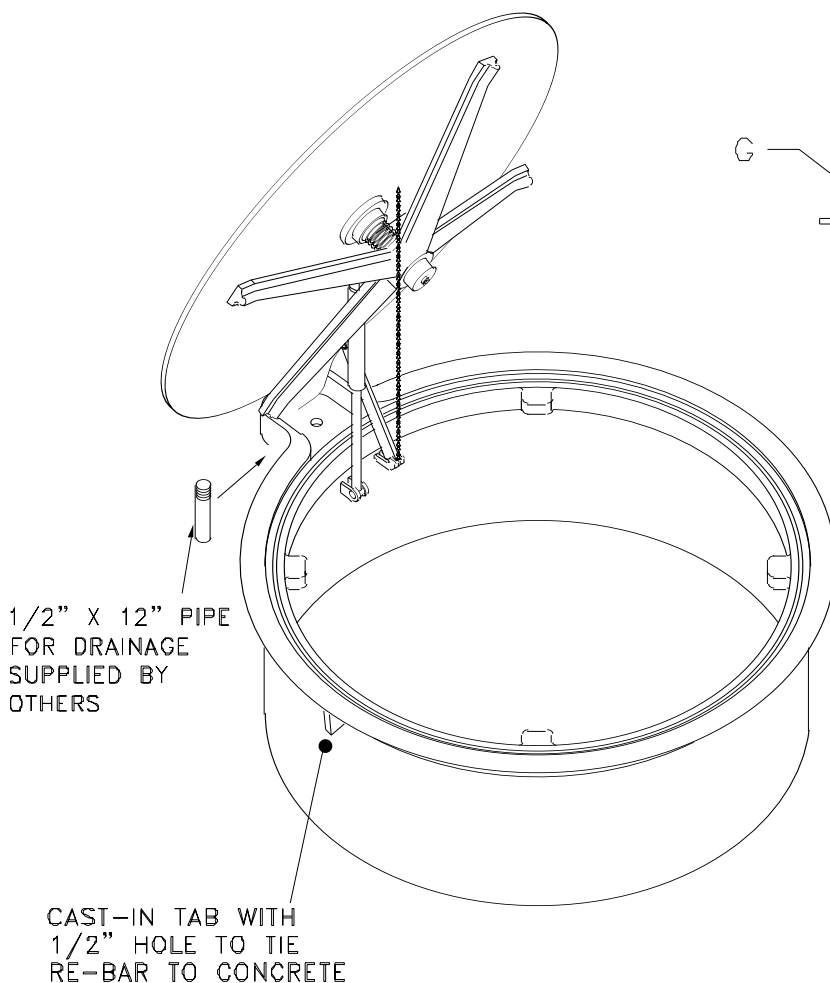


INSTRUCTIONS FOR THE #7050 STAR E/Z LIFT

*TOOLS REQUIRED

- 1 7/8" SOCKET
- 3/16" ALLEN WRENCH

1. REMOVE THE BOLT COVER-(B), USING THE 3/16" ALLEN WRENCH.
2. AFTER REMOVING THE 1/4-20 SCREW, USE YOUR FINGER AND PUSH DOWN ON ONE SIDE TO REMOVE THE BOLT COVER.
3. INSERT THE 1 7/8" SOCKET AND TURN COUNTERCLOCKWISE UNTIL YOU SEE THE COVER BEGIN TO RAISE.
4. TO LOCK DOWN THE COVER, TURN THE BOLT CLOCKWISE IN A CONTINUOUS MOTION SO AS NOT TO ALLOW THE STAR CAM-LOK TO ROCK BACK AND FORTH.
4. USE ANTI-SEIZE COMPOUND ON THREADS AT LEAST ONCE A YEAR.



LETTER	DESCRIPTION
A	5/32" ALLEN BOLT
B	BOLT CAP
C	2" BOLT
D	FLAT WASHER
E	"O"-RING CUP WASHER
F	"O"-RING
G	COVER
H	SPRING
I	CAM-LOK
J	FLAT WASHER
K	3/8-16 BOLT

PATENT PENDING