

2

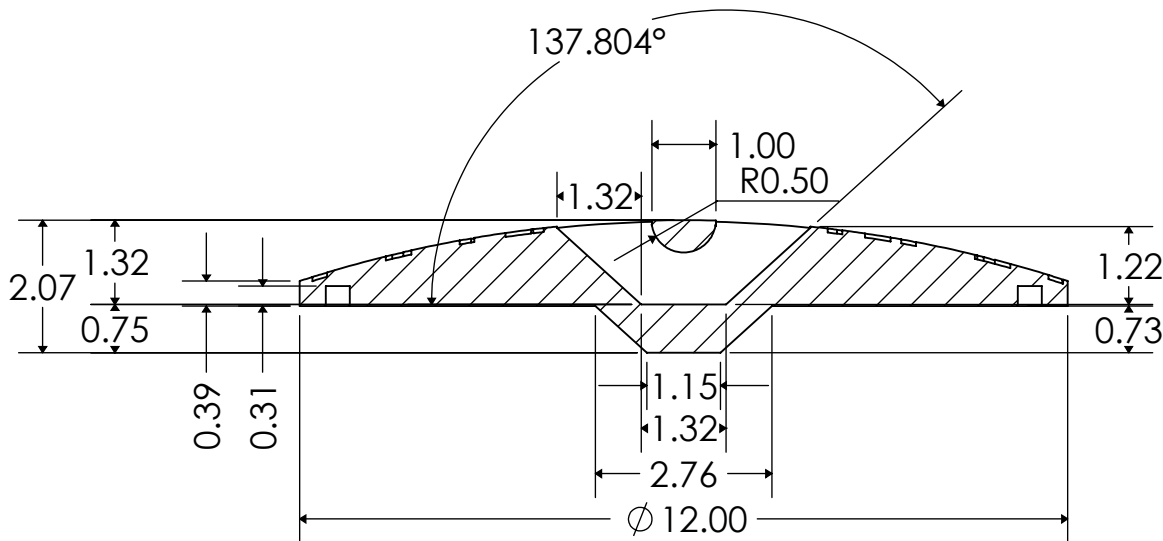
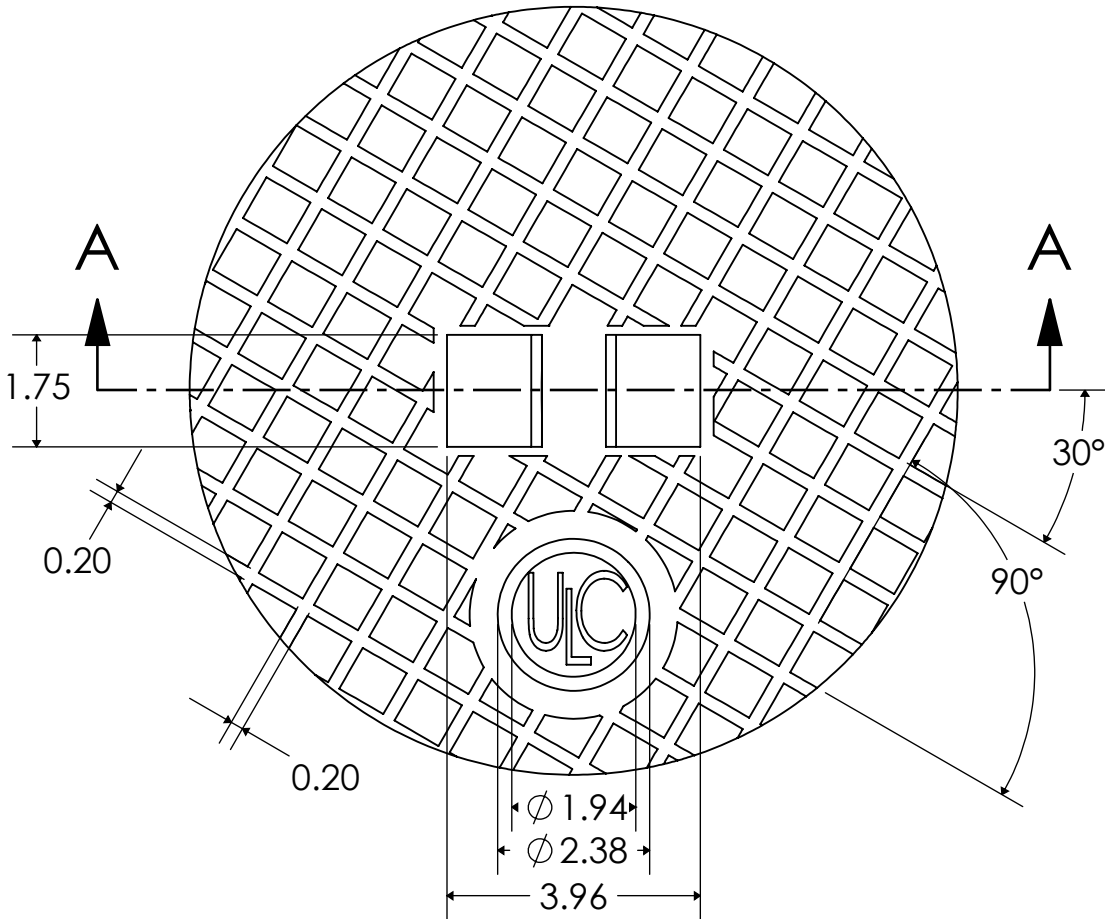
1

B

B

A

A



SECTION A-A

SCALE 1 : 3

PROPRIETARY AND CONFIDENTIAL

THE INFORMATION CONTAINED IN THIS DRAWING IS THE SOLE PROPERTY OF CNI MANUFACTURING, INC. ANY REPRODUCTION IN PART OR AS A WHOLE WITHOUT THE WRITTEN PERMISSION OF CNI MANUFACTURING, INC. IS PROHIBITED.

CNI MANUFACTURING, INC.

15627 ARROW HIGHWAY, IRVINDALE CA, 91706 USA
OFFICE: (626)962-6646 · FAX: (626)962-4854
WEB SITE: WWW.CNI-MFG.COM · EMAIL: INFO@CNI-MFG.COM

DO NOT SCALE DRAWING

DRAWN: Cameron Perrette
NAME: Cameron Perrette
DATE: 05/16/2025



DRAWING NAME

Gravity Cover

SIZE PART. NO.

A

GAC

REV.

SCALE:1:8

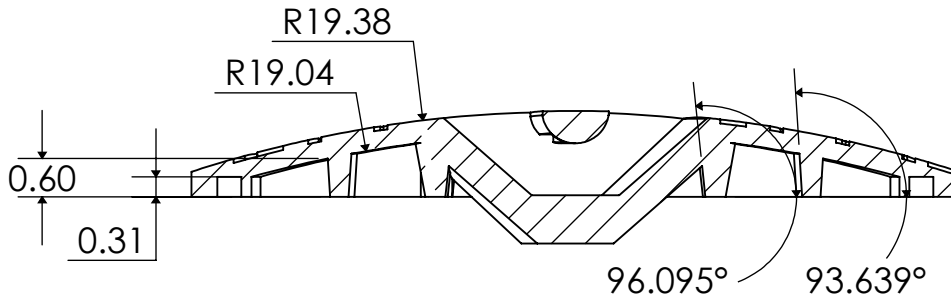
SHEET 1 OF 2

2

1

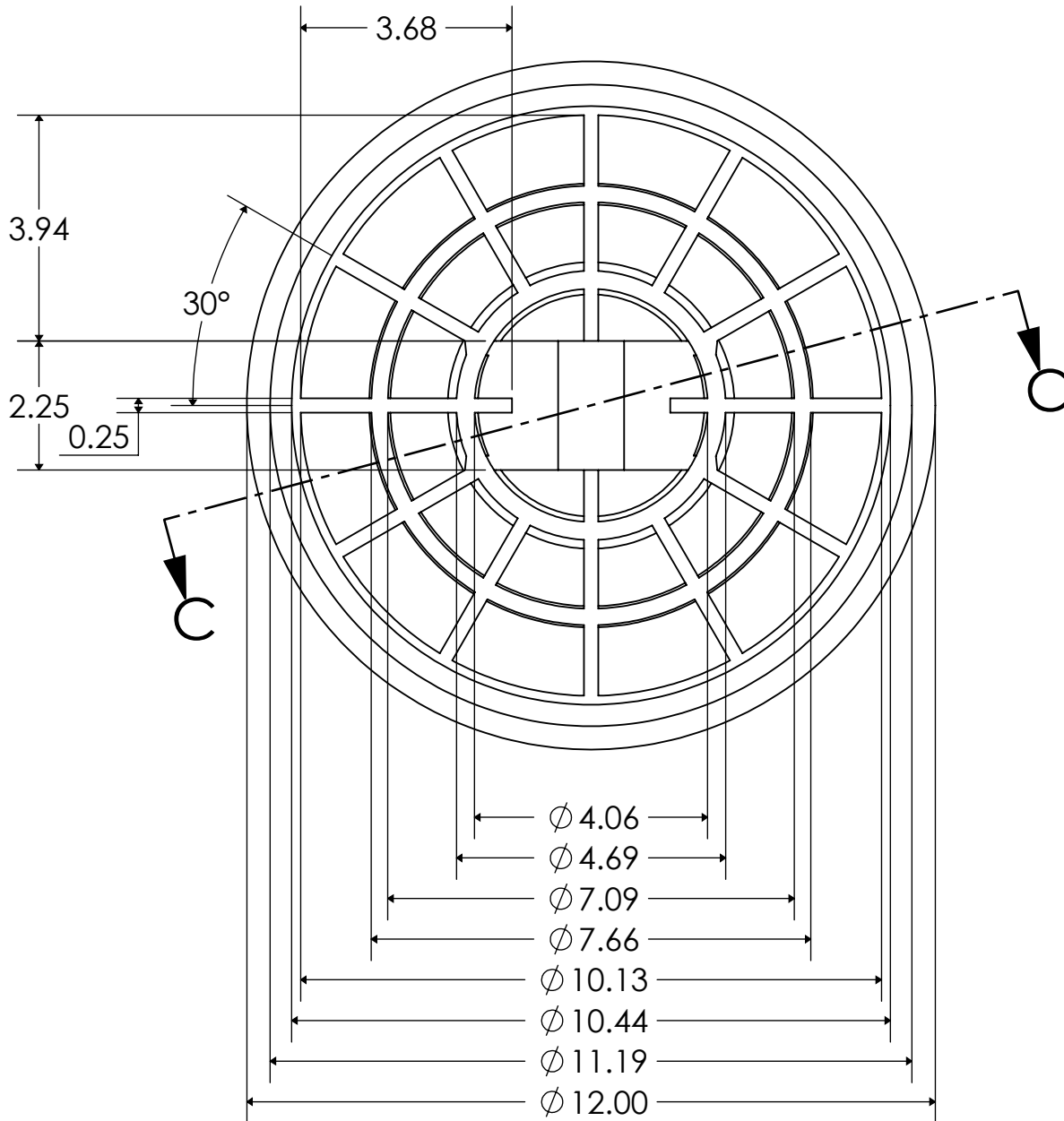
2

1



SECTION C-C

SCALE 1 : 3



B

B

A

A

PROPRIETARY AND CONFIDENTIAL

THE INFORMATION CONTAINED IN THIS DRAWING IS THE SOLE PROPERTY OF CNI MANUFACTURING, INC. ANY REPRODUCTION IN PART OR AS A WHOLE WITHOUT THE WRITTEN PERMISSION OF CNI MANUFACTURING, INC. IS PROHIBITED.

CNI MANUFACTURING, INC.

15627 ARROW HIGHWAY, IRVINDALE CA, 91706 USA
 OFFICE: (626)962-6646 · FAX: (626)962-4854
 WEB SITE: WWW.CNI-MFG.COM · EMAIL: INFO@CNI-MFG.COM

DO NOT SCALE DRAWING

DRAWN	NAME	DATE
	Cameron Perrette	05/16/2025



DRAWING NAME

Gravity Cover

SIZE	PART. NO.	REV.
A	GAC	
SCALE:1:8	SHEET 2 OF 2	